

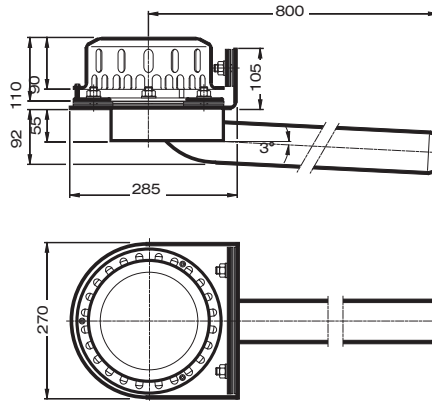


Choose drain for piece list on page one!

#### LX467-1X

Drain Art.-No. 01372.070X  
weight: 6,3 kg

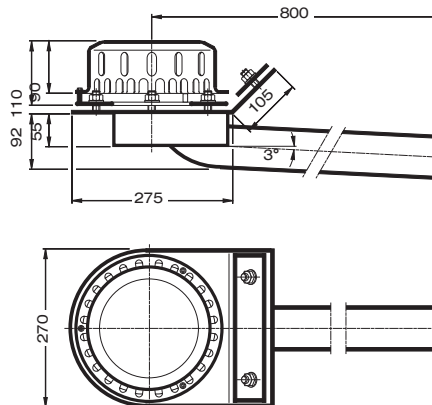
**Series 79**  
**clamping flange 90°**  
for plastic roofing sheets



#### LX467-2X

Drain Art.-No. 01370.070X  
weight: 6,2 kg

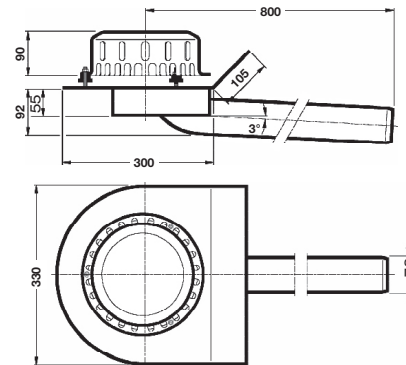
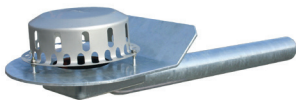
**Series 79**  
**clamping flange 45°**  
for bituminous roofing sheets



#### LX467-3X

Drain Art.-No. 01374.070X  
weight: 9,2 kg

**Series 79**  
**bonding flange 45°**  
for bituminous roofing sheets



#### LX467-4X

Drain Art.-No. 01390.070X  
weight: 3,9 kg

**Series 88**  
**bonding flange**  
for bituminous and plastic roofing sheets

